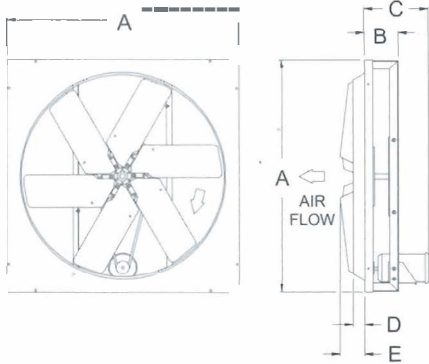


# DIMENSIONS AND DRAWINGS

## TYPE NCF FANS

FAN MODEL	A	B	C	D	E
NCF36	44	5 3/4	12	2 1/2	3 3/4
NCFB48	56	4 3/4	12.3.8	3 7/8	6
NCF52			13		

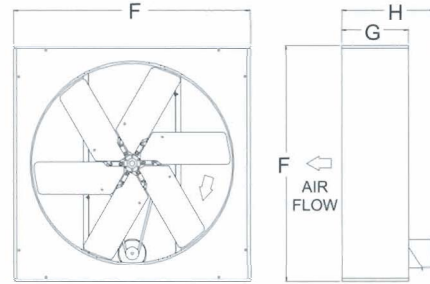


FRONT VIEW

SIDE VIEW

## TYPE NCF FANS in WAFERWOOD

FAN MODEL	F	G	H
NCF36WW	44 7/8	11 7/8	17
NCFB48WW	56 7/8	15 3/4	23
NCF52WW			23 5/8

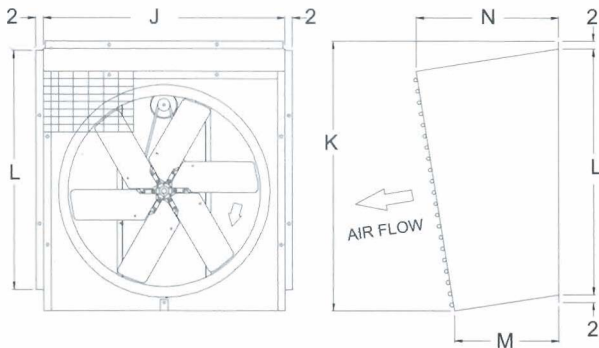


FRONT VIEW

SIDE VIEW

## TYPE NCF FANS in SWH (SLOPE) WALL HOUSING

FAN MODEL	J	K	L	M	N
MNCF36	44 3/8	50 5/16	44 13/16	21 7/8	28 3/4
MNCFB48 MNCF52	56 3/8	62 3/8	57	21 3/16	30

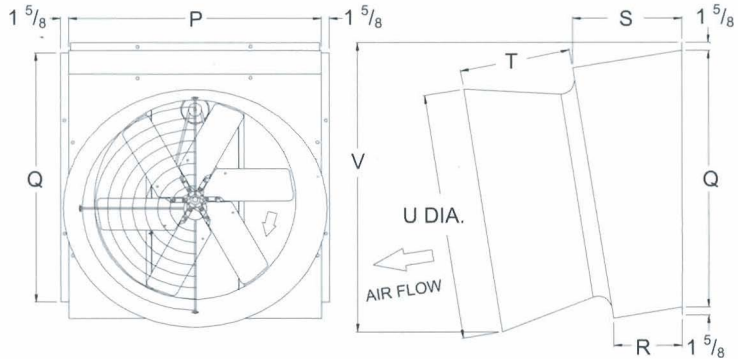


FRONT VIEW

SIDE VIEW

## TYPE NCF FANS in SWHC (SLOPE) WALL COLLAR WITH CONE

FAN MODEL	P	Q	R	S	T	U	V
MNCF36	44 3/8	44 13/16	19 3/8	26 5/16	24 1/2	43 5/8	54 1/2
MNCFB48	56 3/8	57	16 5/16	25 1/8	32 3/8	59 3/4	68
MNCF52					35	64 3/4	70 13/16



FRONT VIEW

SIDE VIEW

Rough Opening:

Add 1/2" To 'J' or 'P' for Width  
For 2" Wall: Add 3/4" To 'L' or 'Q' for Height

For 4" Wall: Add 1 1/4" To 'L' or 'Q' For Height  
For 6" Wall: Add 1 1/2" To 'L' or 'Q' For Height

### WARNING

### CAUTION

**6** DO NOT INSTALL FAN WITH MOVING PARTS WITHIN 8 FEET OF FLOOR OR GRADE LEVEL WITHOUT A GUARD THAT COMPLIES WITH OSHA REGULATIONS. DO NOT USE UNLESS ELECTRICAL WIRING COMPLIES WITH ALL APPLICABLE CODES. DO NOT WIRE WITHOUT PROVIDING FOR A POWER SOURCE DISCONNECT AT THE FAN ITSELF. DO NOT SERVICE EXCEPT BY A QUALIFIED MAINTENANCE TECHNICIAN AND ONLY AFTER DISCONNECTING THE POWER SOURCE. FAILURE TO OBSERVE THESE PRECAUTIONS CAN RESULT IN SERIOUS INJURY OR DEATH.

### Limited Warranty

In the sale of its products American Coolair Corporation agrees to correct by repairs or replacement any defects in workmanship or material which may develop under proper or normal use during the period of one year from date of shipment from factory. Any product or part proving upon American Coolair's examination to be defective during limited warranty period will be replaced w repaired, at American Coolair's option. f.o.b. factory, without charge. Deterioration or wear caused by chemicals, abrasive action or excessive heat shall not constitute defects. Motors are guaranteed only to the extent of the manufacturer's warranty. American Coolair's limited warranty does not apply to any of its products or parts that have been subject to accidental damage, misuse by the user, unauthorized alterations, improper installation or electrical wiring, or lack of proper lubrication or other service requirements established by American Coolair. Repairs or replacements provided under the above terms shall constitute fulfillment of all American Coolair's obligations with respect to limited warranty. THE LIMITED WARRANTY STATED HEREIN IS IN LIEU OF ALL OTHER WARRANTIES, EXPRESS, STATUTORY OR IMPLIED, INCLUDING WITHOUT LIMITATION THAT OF MERCHANTABILITY AND FITNESS. No liability for reinstallation cost or for any special, indirect or consequential damages of any nature is assumed or shall be imposed upon American Coolair.

